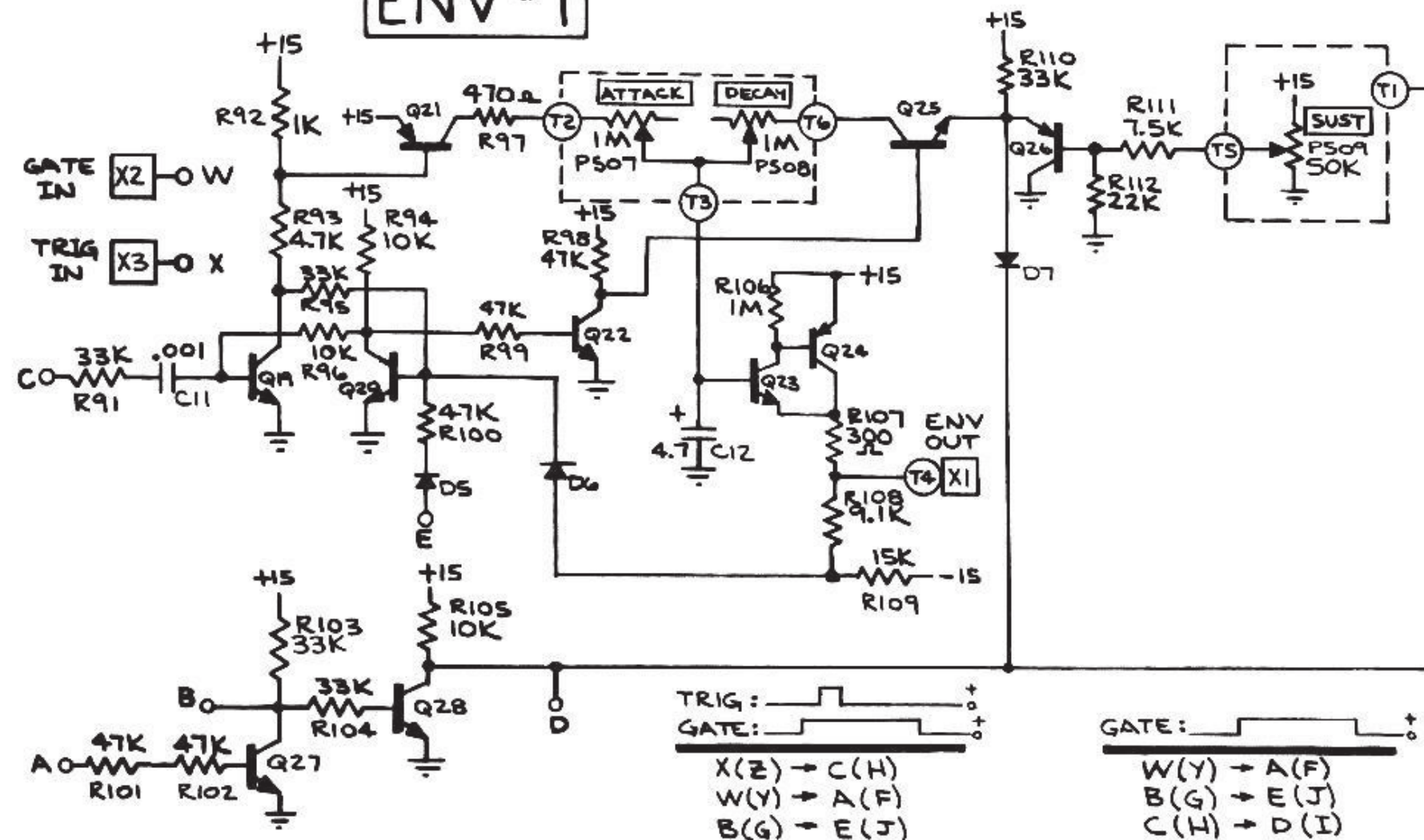
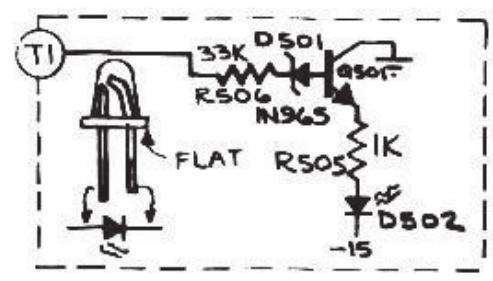
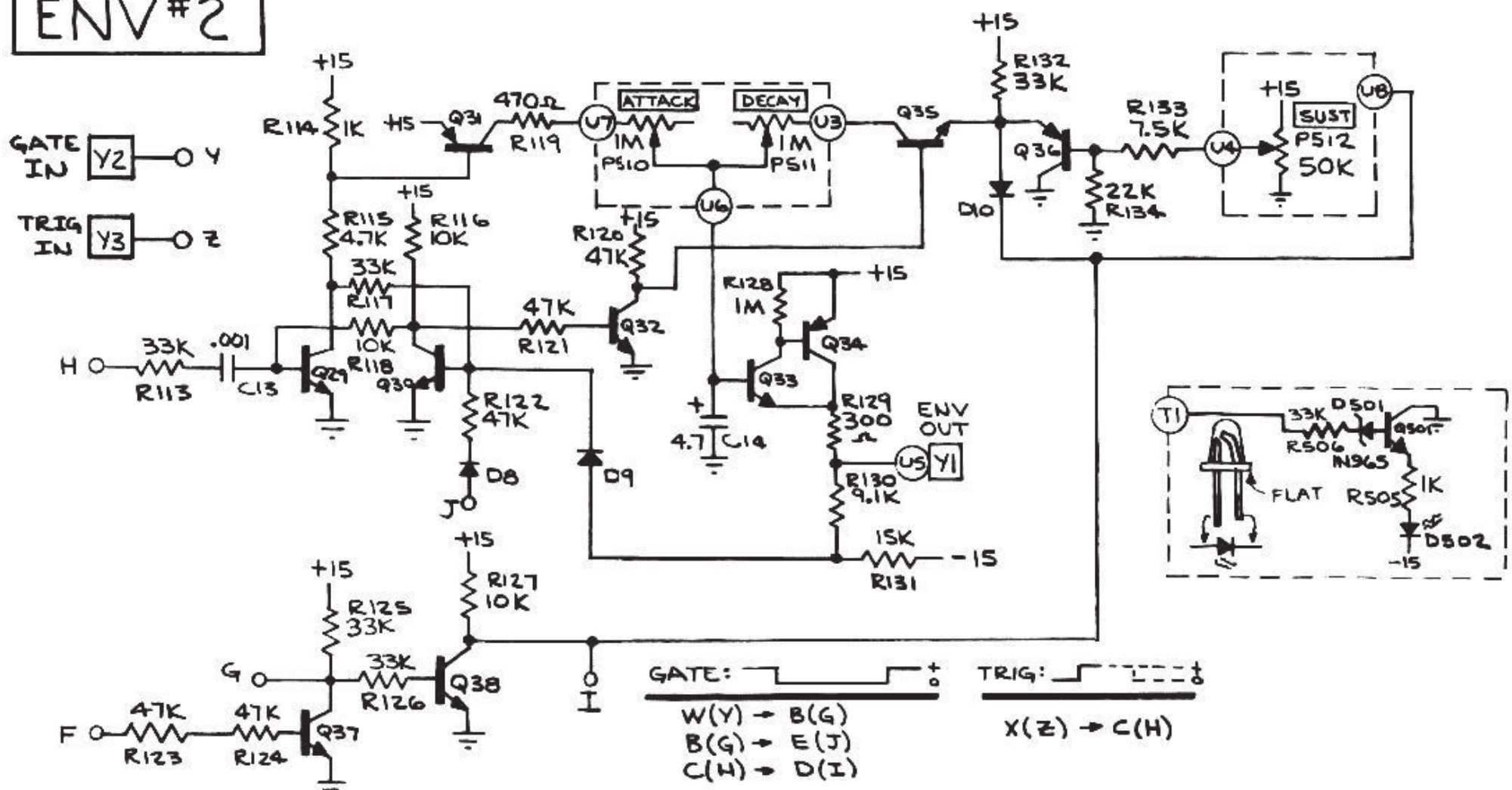
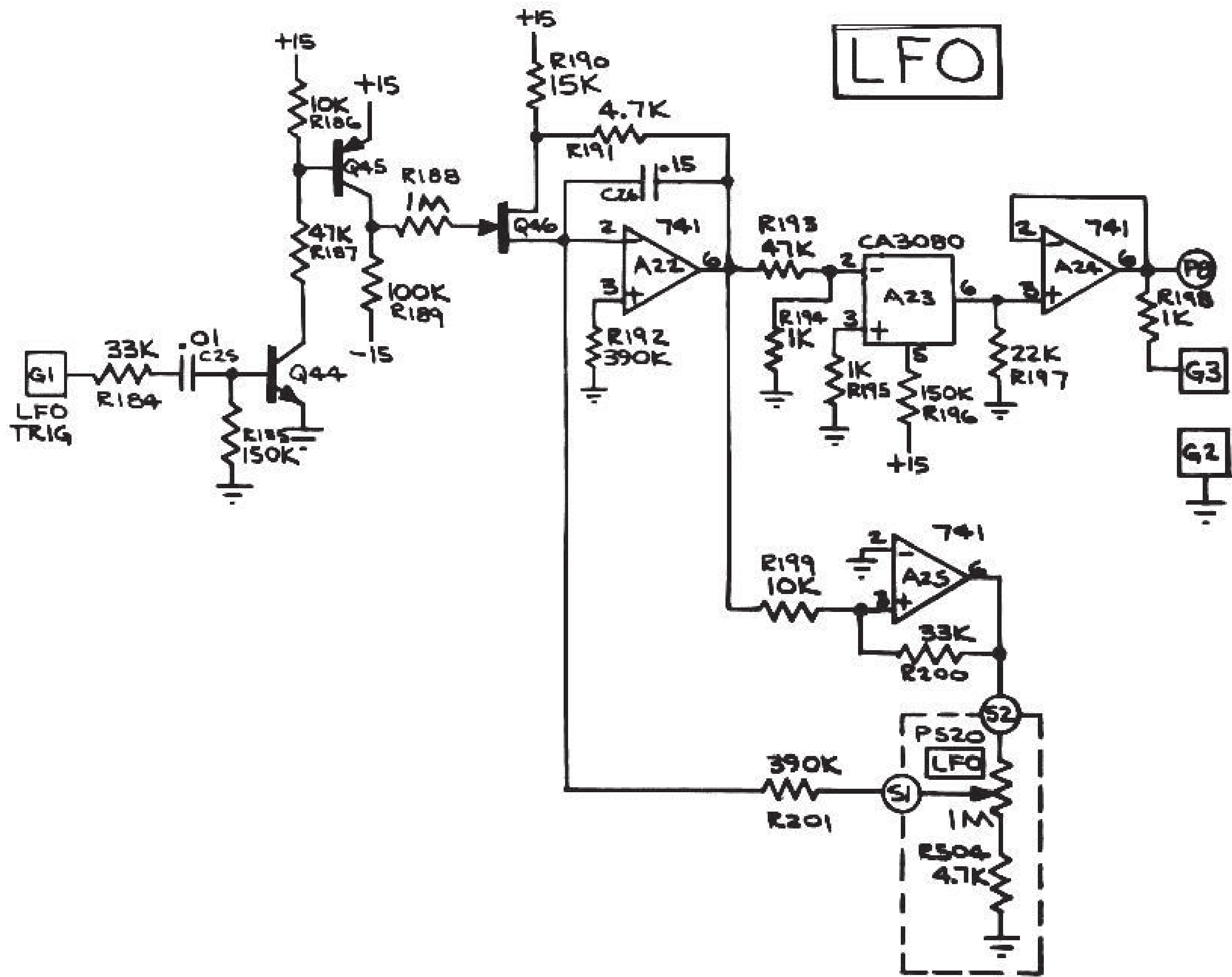


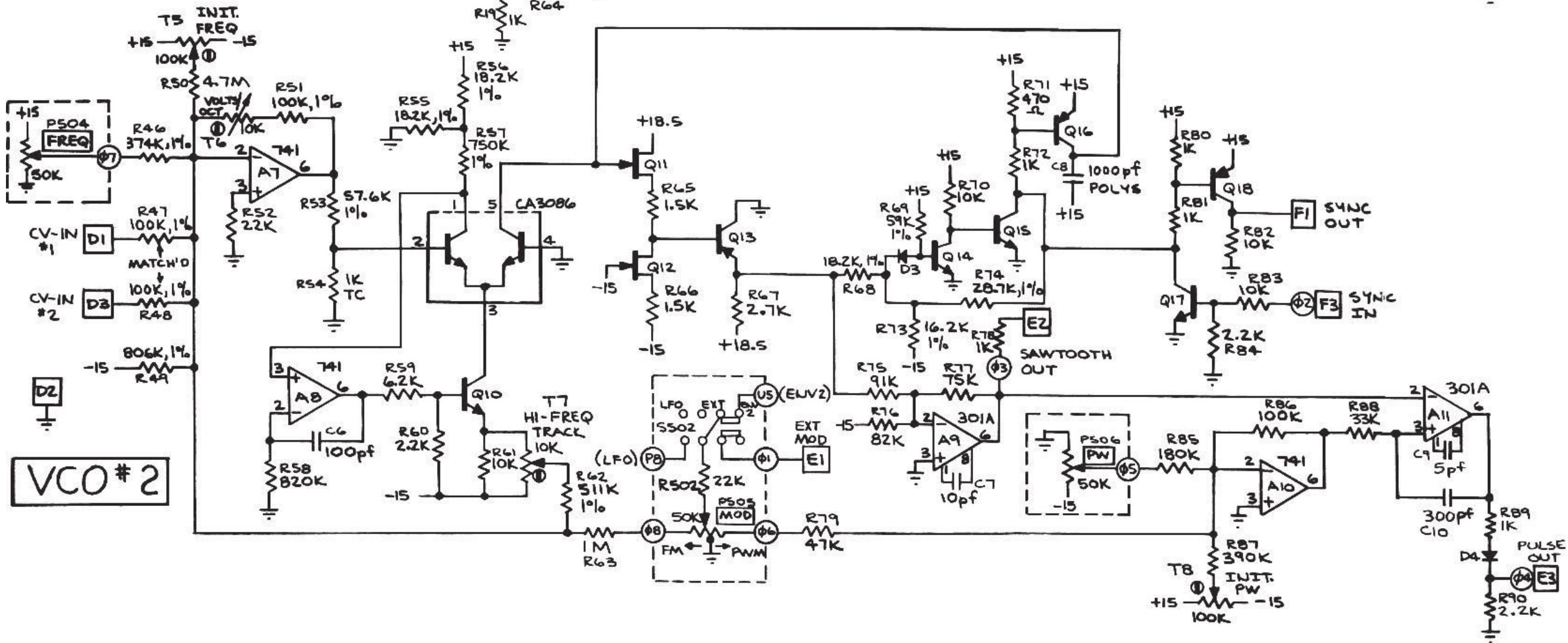
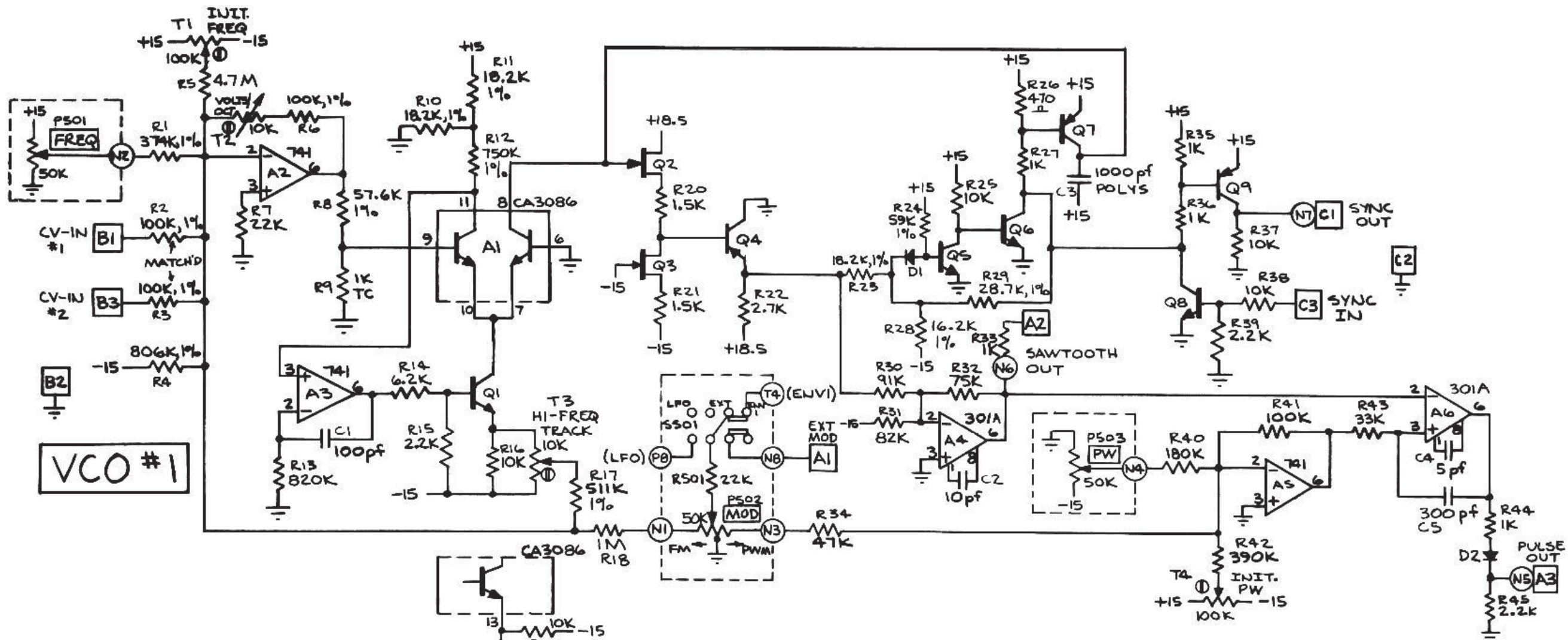
ENV #1

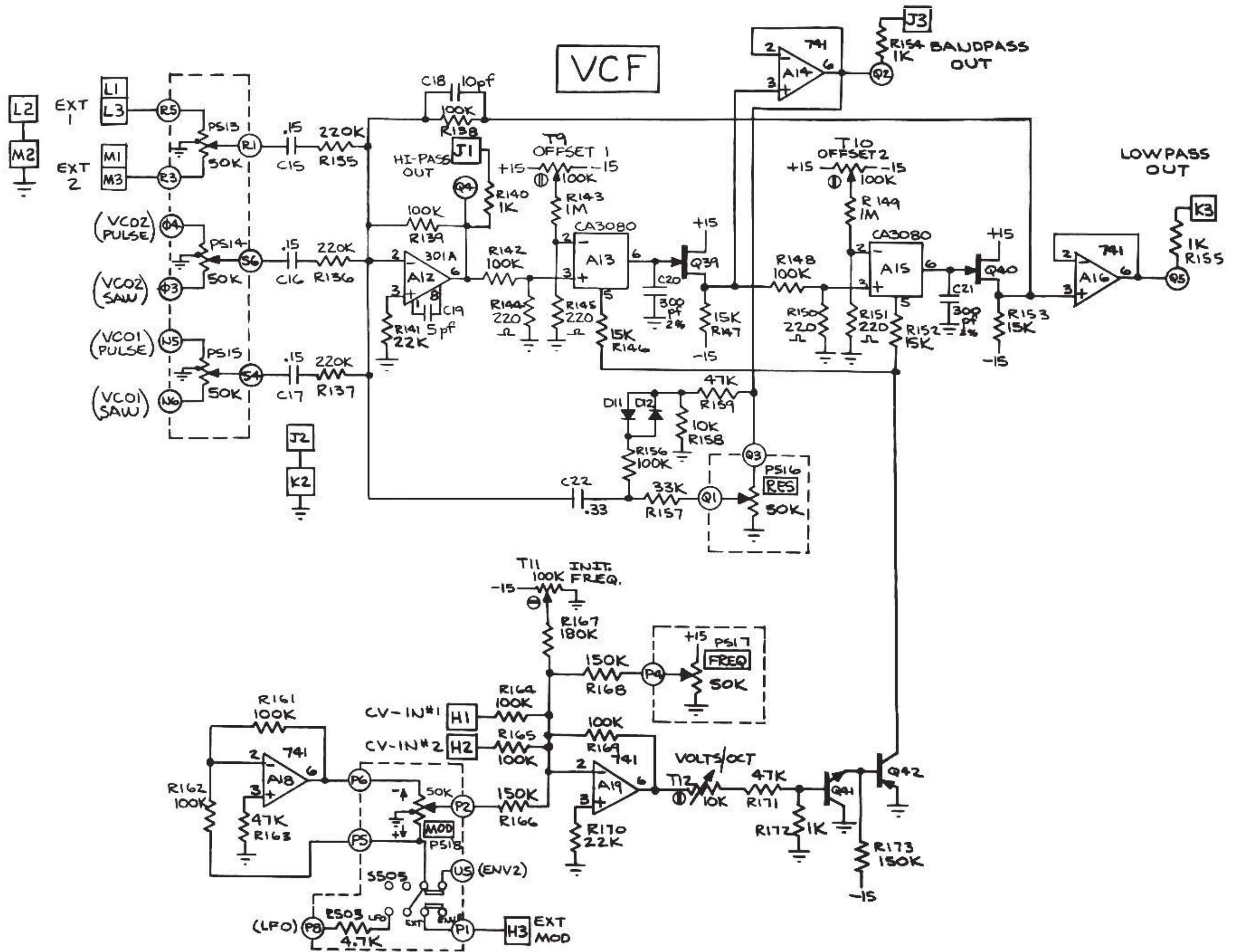


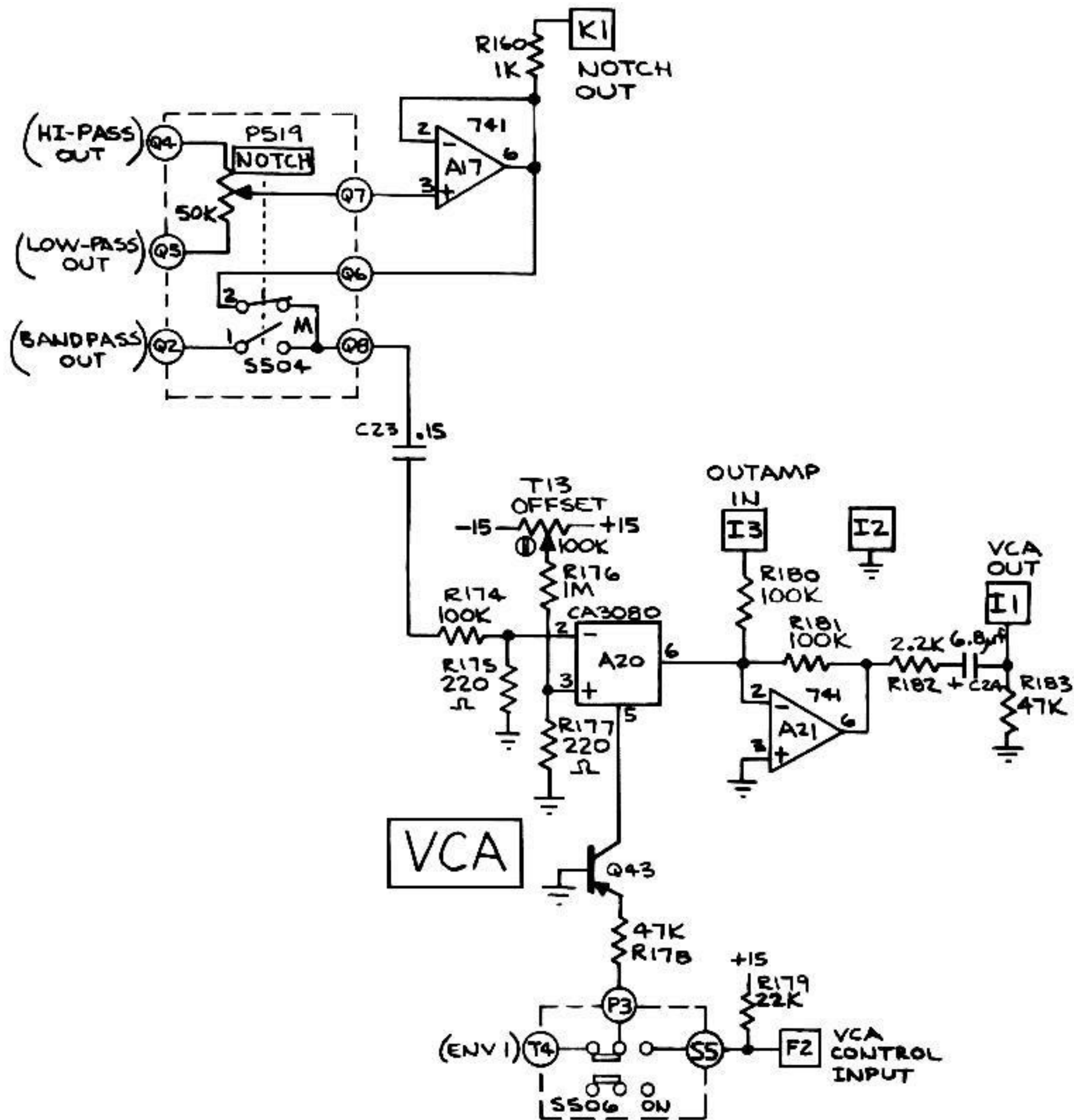
ENV #2

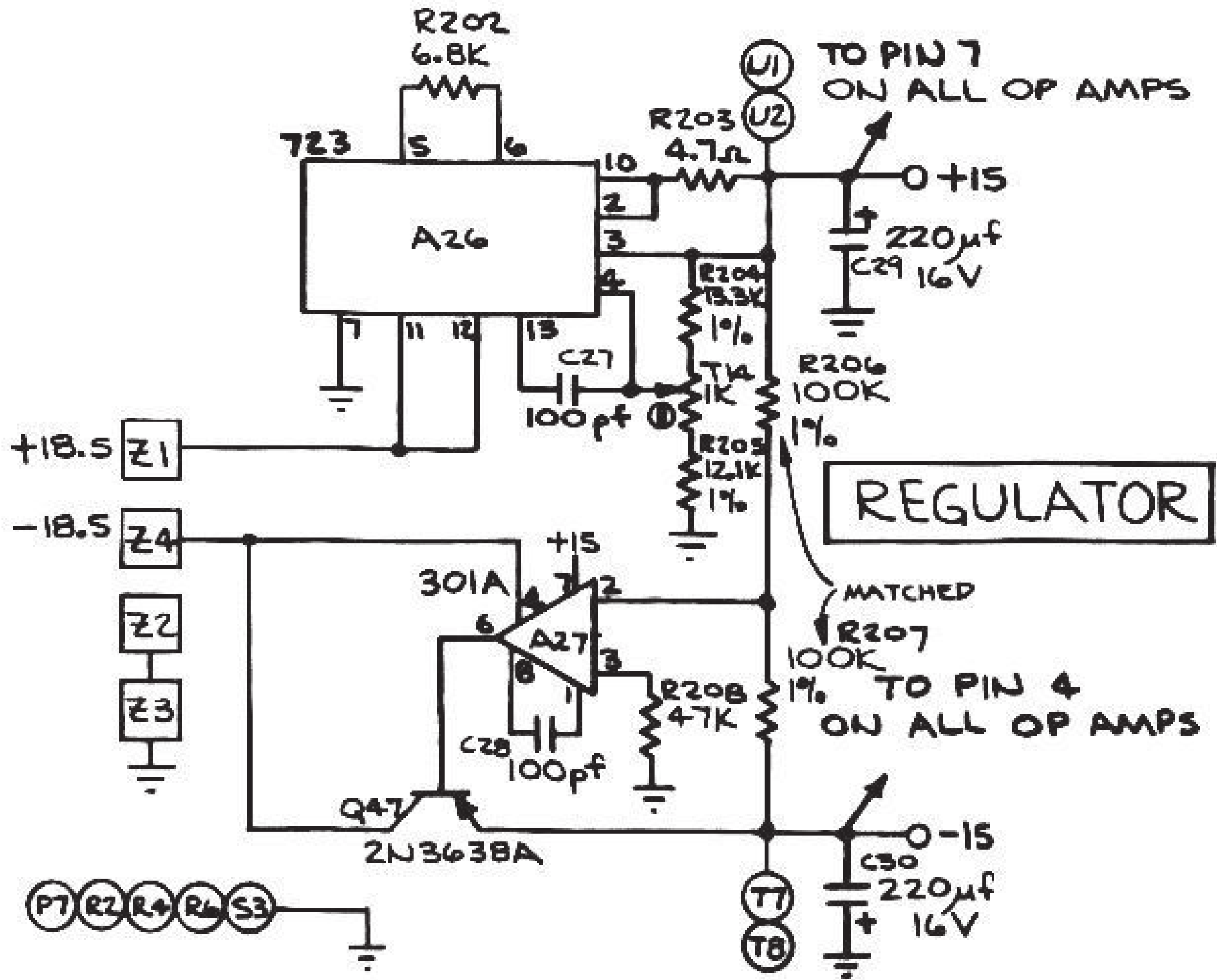




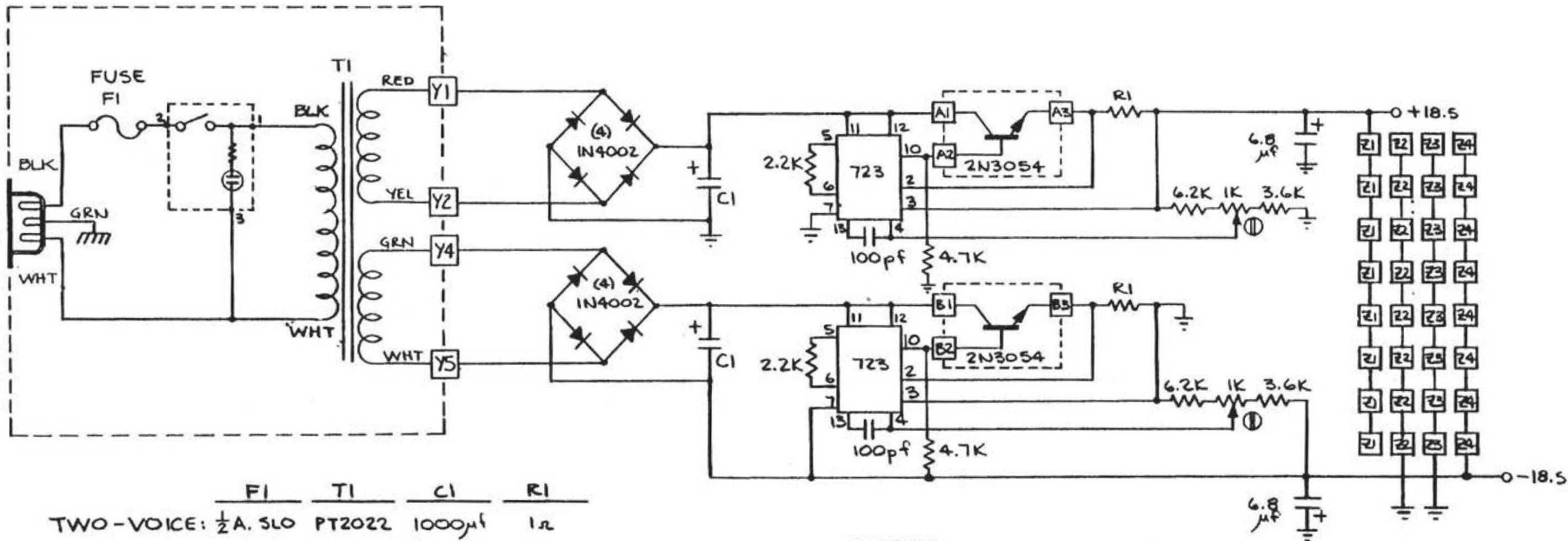






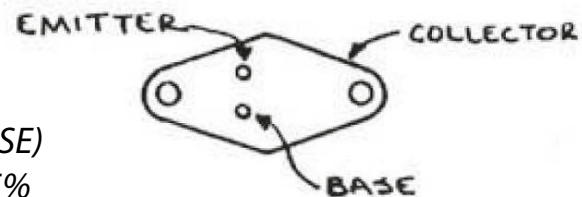


105-125 (BLK)
VAC (GRN)
50-60 Hz (WHT)



	F1	T1	C1	R1
TWO-VOICE:	½ A. SLO	PT2022	1000µf	1Ω
FOUR-VOICE:	1 A. SLO	PT2054	2000µf	.5Ω

- NOTES:
(UNLESS SPECIFIED OTHERWISE)
1. ALL RESISTORS ARE 1/4 W, 5%
 2. ALL CAPACITORS IN µf.
 3. ALL NPN TRANSISTORS - 2N5172
 4. ALL PNP TRANSISTORS - 2N3906
 5. ALL DIODES - 1N4148
 6. ALL FET's - 2N4302

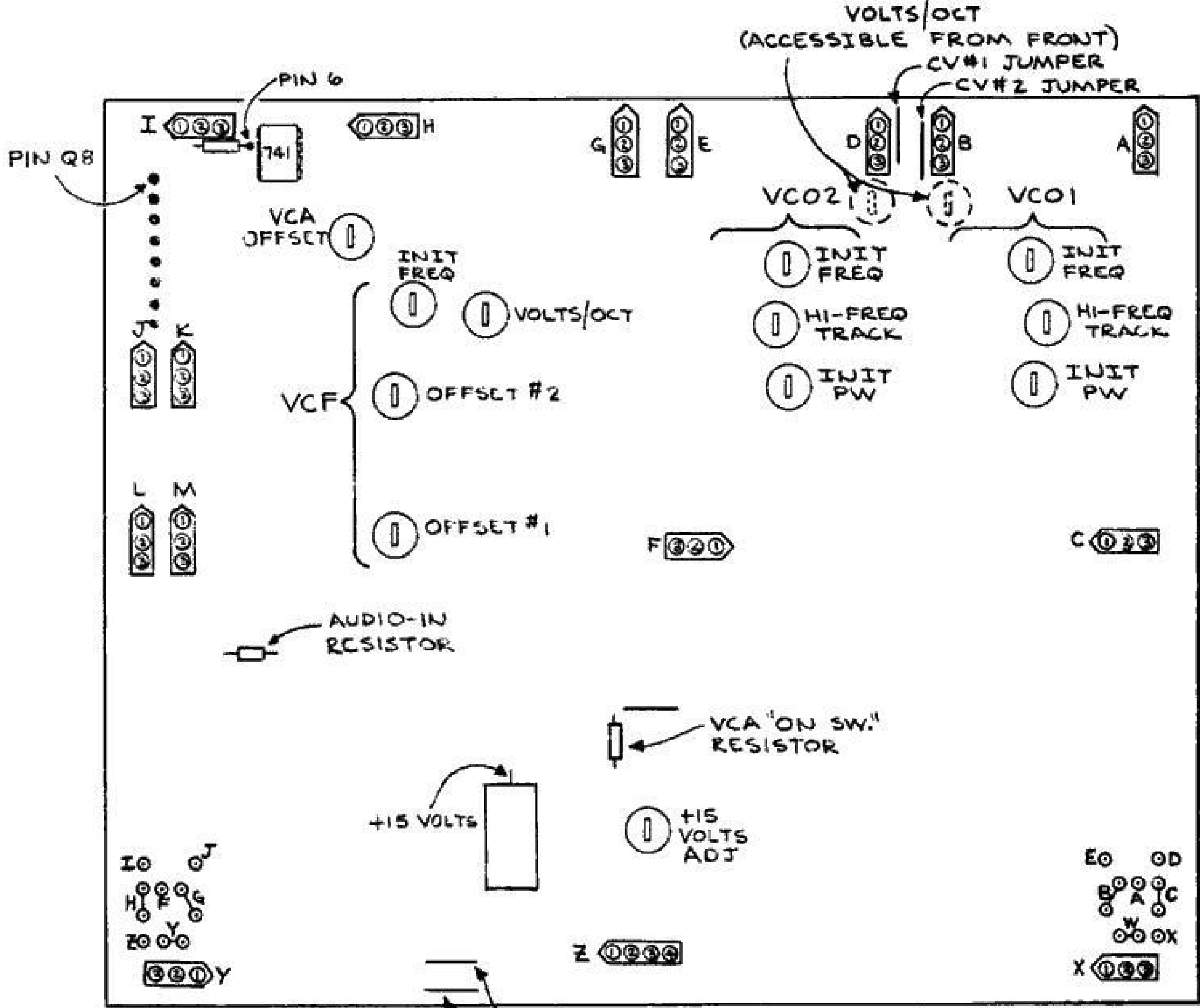


OBERHEIM ELECTRONICS, INC

- SCHEMATIC -
SYNTHESIZER
POWER SUPPLY

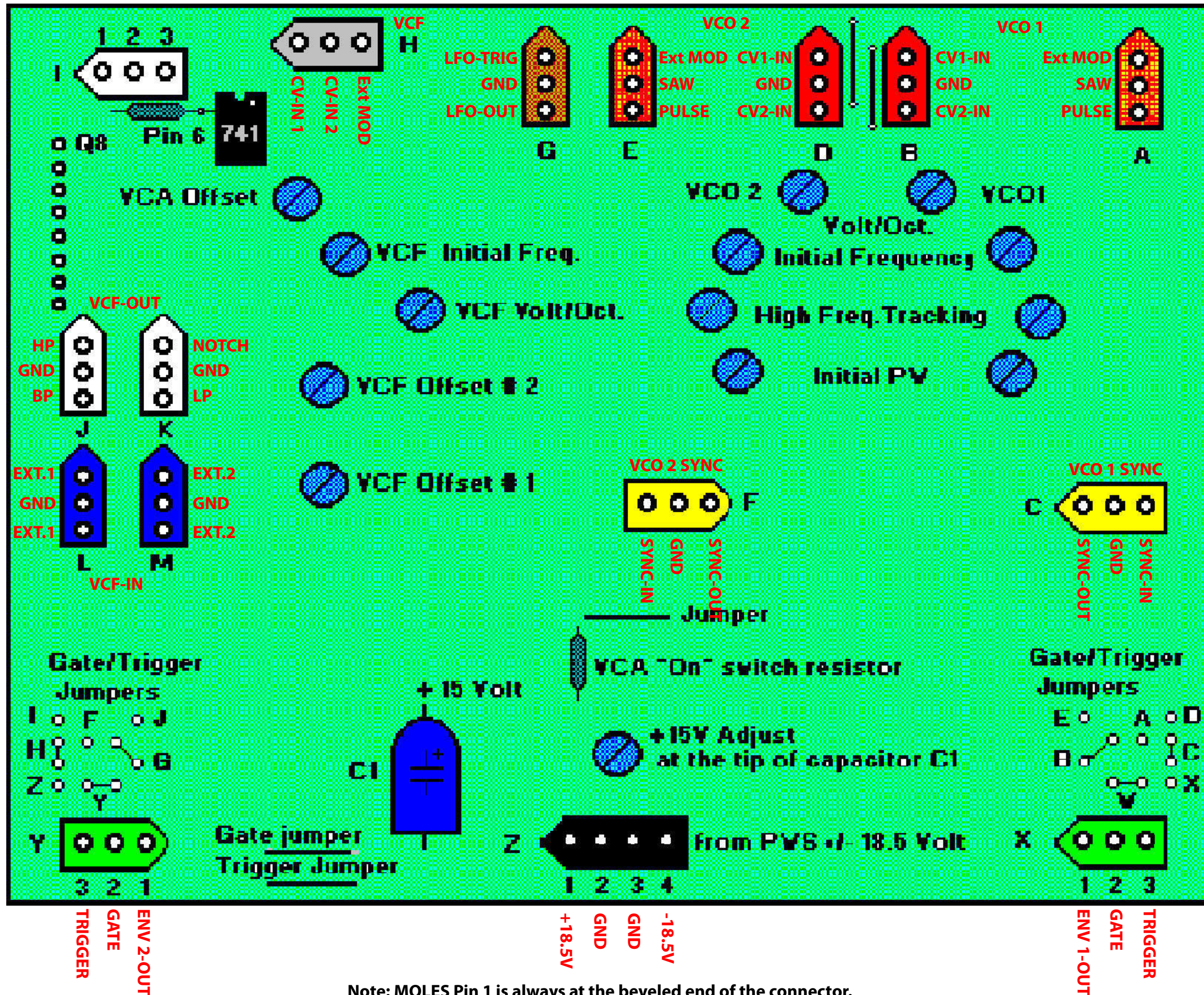
NOV. 11, 1975
REV 5-30-78

1145



GATE JUMPER
 TRIG JUMPER
 REV 2-15-75
 8-31-78

Oberheim SEM-1 pinout R.Meurer 21-10-10



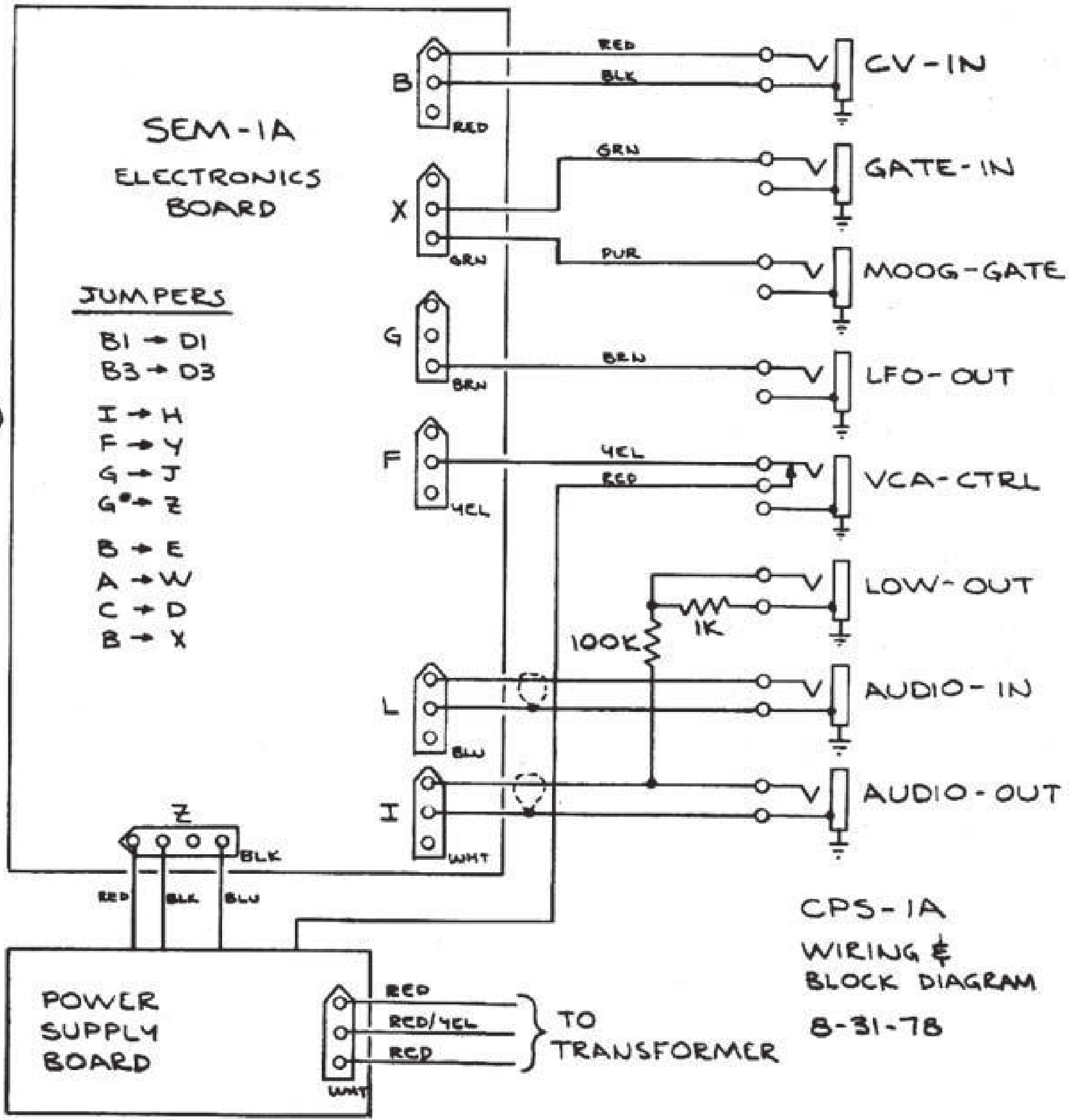
CHANGES
TO SEM-1A
ELECTRONICS
BOARD WHEN
USED IN CPS-1A

1) VCA "ON-SW"
RESISTOR (22K)
IS REMOVED.

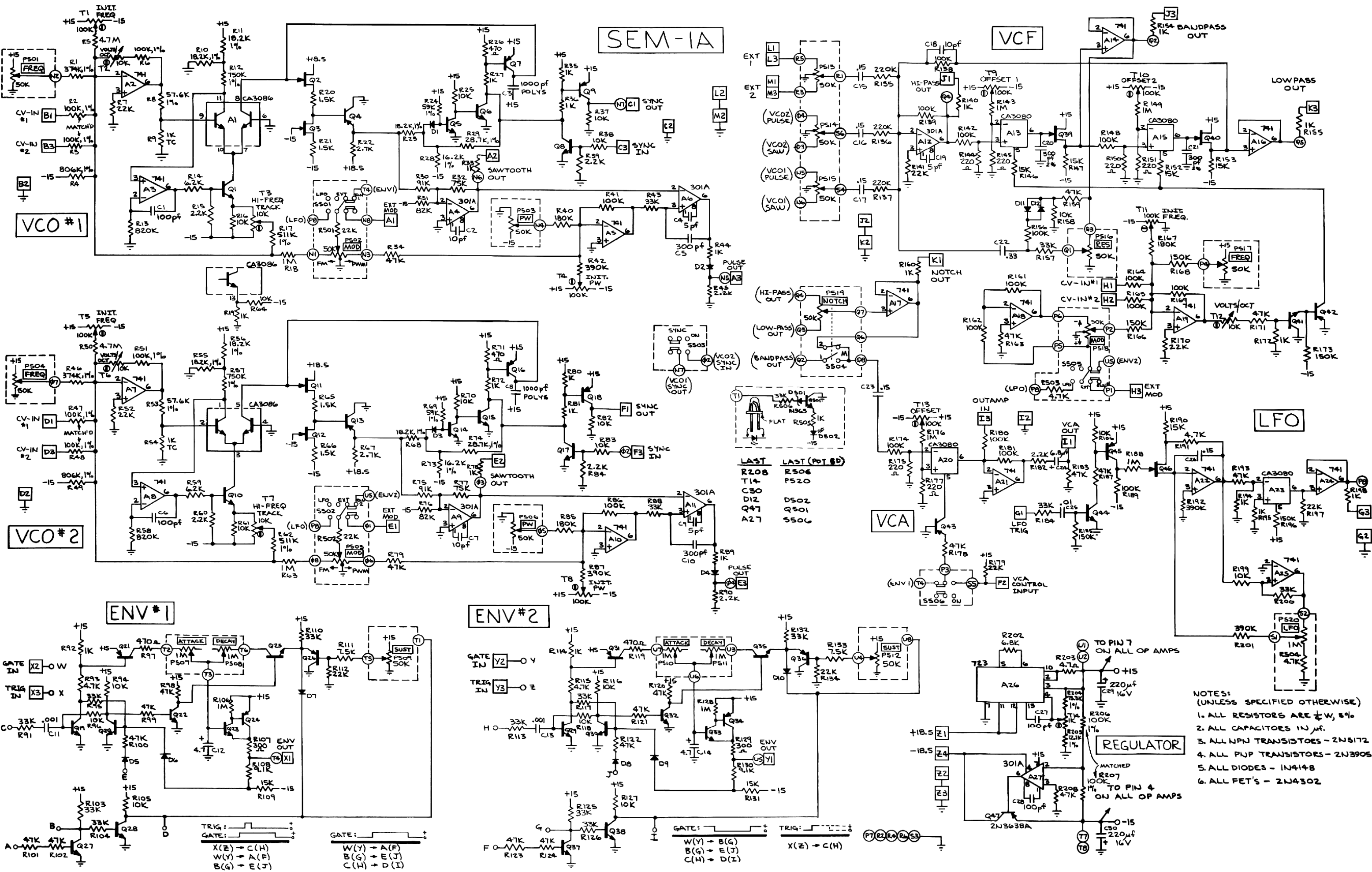
2) AUDIO-IN
SUMMING
RESISTOR
(R135, 220K)
IS PARALLELED
WITH 47K.

JUMPERS

- B1 → D1
- B3 → D3
- I → H
- F → Y
- G → J
- G² → Z
- B → E
- A → W
- C → D
- B → X



CPS-1A
WIRING &
BLOCK DIAGRAM
8-31-78



SEM-1A

VCF

LFO

VCO #1

VCO #2

ENV #1

ENV #2

VCA

REGULATOR

LAST	LAST (POT BD)
R208	R506
T14	PS20
C30	DS02
D12	Q501
Q47	SS06
A27	

- NOTES:
 (UNLESS SPECIFIED OTHERWISE)
 1. ALL RESISTORS ARE 1/4W, 5%
 2. ALL CAPACITORS IN μF.
 3. ALL NPN TRANSISTORS - 2N5172
 4. ALL PNP TRANSISTORS - 2N3905
 5. ALL DIODES - 1N4148
 6. ALL FET'S - 2N4302

