

← OFF ON →



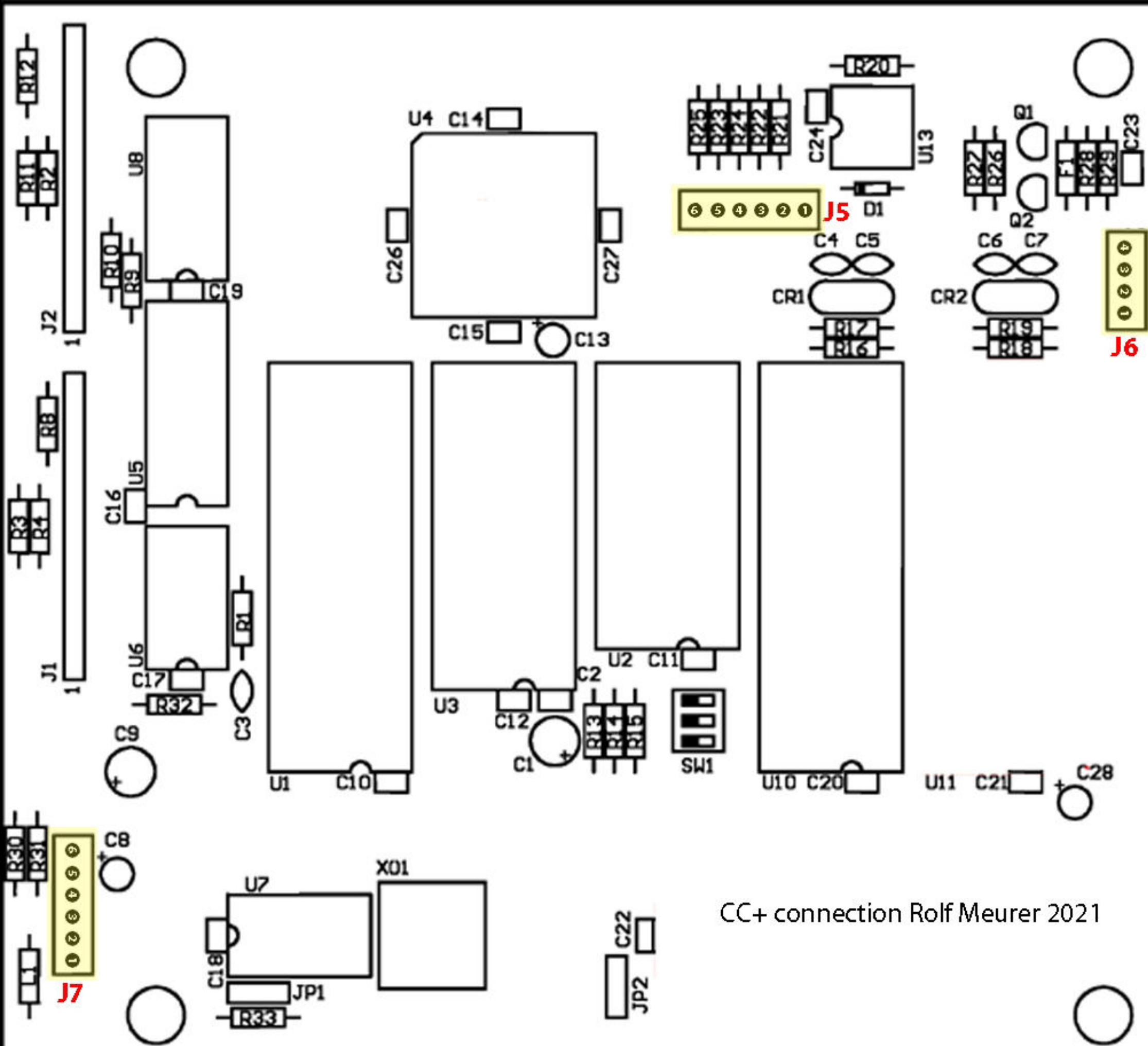
DIP SW#1 (On = Delayed Start, Off = Normal Operation)

DIP SW#2 (On = DAC Adjust/Service Mode, Off = Normal Operation)

DIP SW#3 (Reserved for future use - leave in Off for Normal Operation)

SW1





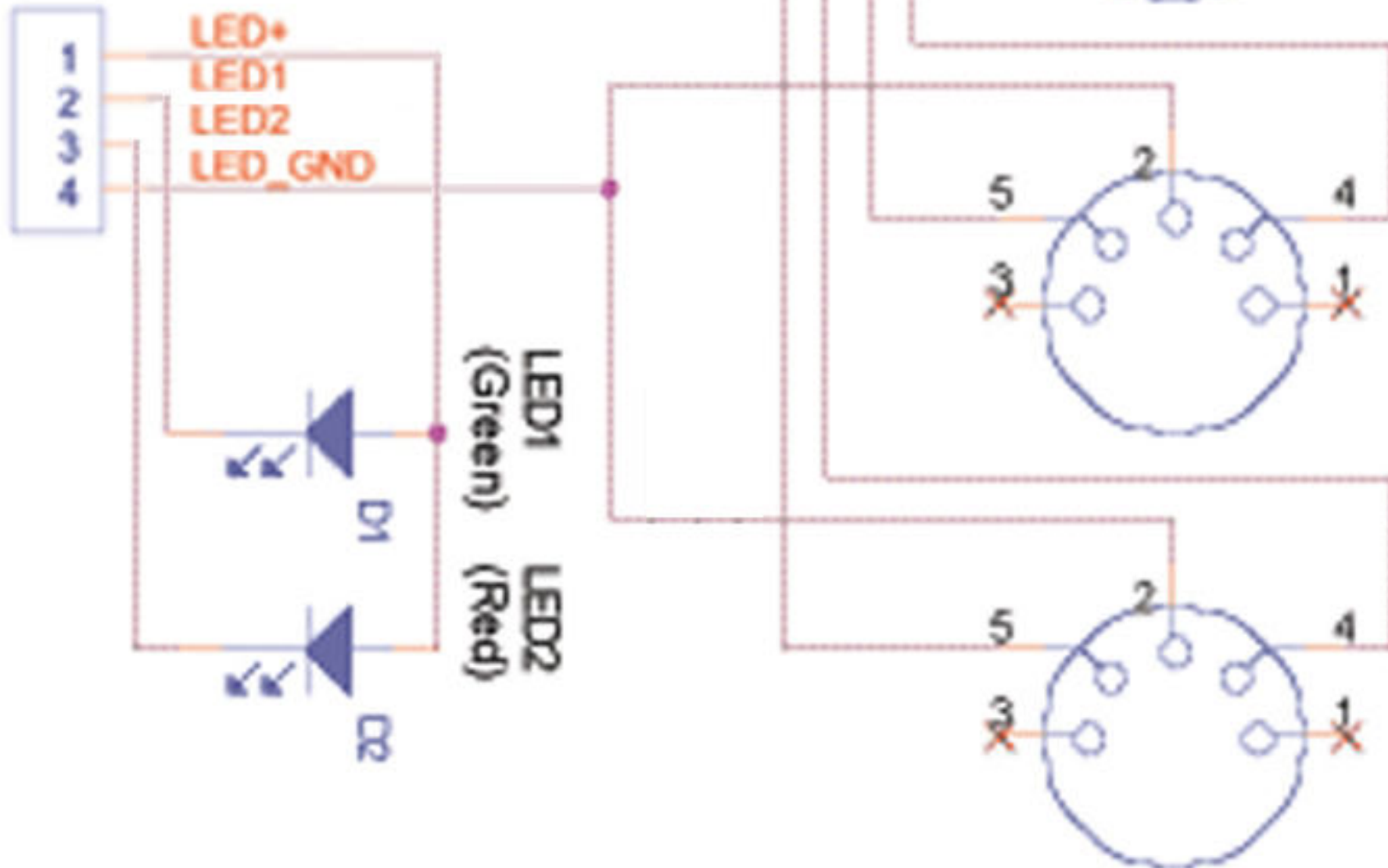
CC+ connection Rolf Meurer 2021

**J5**



CC+ wiring Rolf Meurer 2021

**J6**



**MIDI IN**

**MIDI THRU**

**MIDI OUT**